

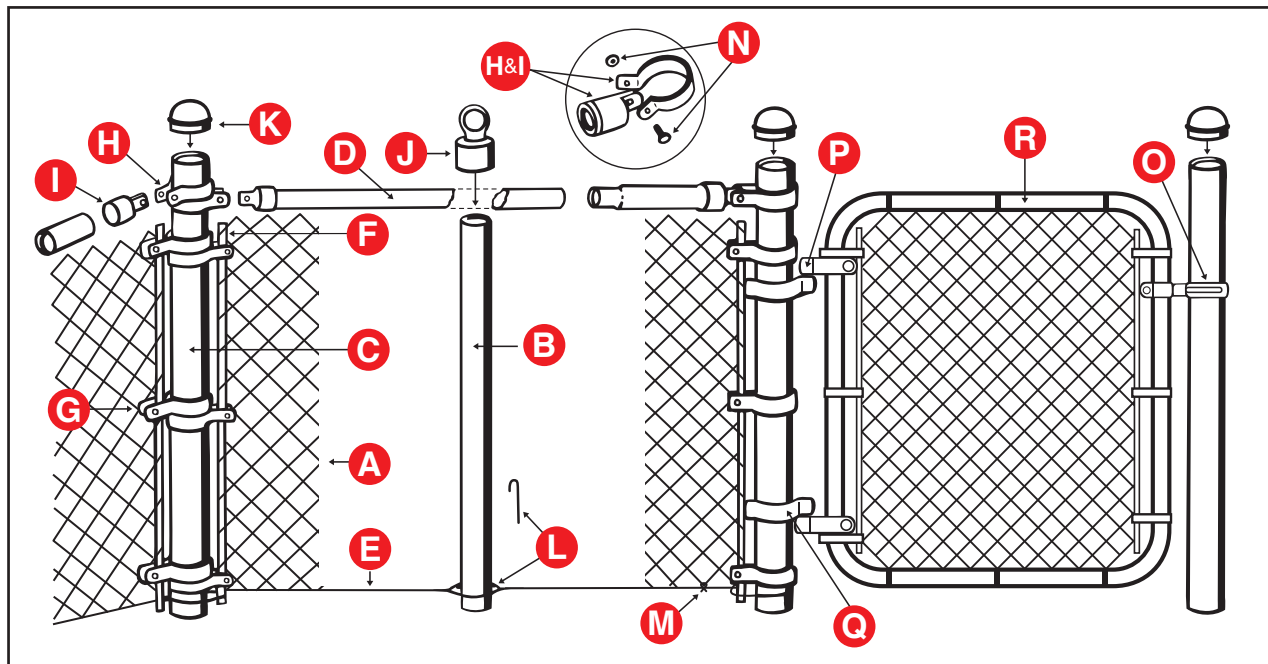


PHOENIX FENCE Corp.

RESIDENTIAL FENCE

COMPONENTS CHART

- A) Chain Link Fabric**
B) Line Posts
C) Main Posts – End, Gate, Corner
• 1 7/8" O.D. Pipe
• 2 3/8" O.D. Pipe
D) Top Rail
E) Bottom Brace Wire – to match fabric, same length as fence fabric plus ten percent.
F) Tension Bars – one required for each fabric termination.
G) Tension Bands – three required for each fabric termination.
H) Brace Bands – one required for each termination.
I) Rail Ends – one required for each termination.
J) Line Post Eye Caps – one required for each line post.
K) Main Post Caps – one required for each main post.
L) Tie Wires – one required for every 24" of top rail and 3 for each line post.
M) Hog Rings – one required for every 24" of bottom brace wire.
N) Nut & Bolt 5/16" x 1 1/4" Carriage – one required for each Brace Band and Tension Band.
O) Fork Latch – one required with gate fits main post for latching
P) Frame Hinge – 2 are required for hinge assembly.
Q) Post Hinge -- 2 are required to finish hinge assembly.
R) Residential Gate – Standard opening of 44"



EDMONTON

12816 - 156 St. Edmonton AB T5V 1E9
780-447-1919 Fax: 780-447-2512
Toll Free: 1-800-661-9847
Email: edmonton@phoenixfence.ca

CALGARY

6204 2 St. S.E. Calgary AB T2H 1J4
403-259-5155 Fax: 403-259-2262
Toll Free: 1-888-220-2525
Email: calgary@phoenixfence.ca

www.phoenixfence.ca